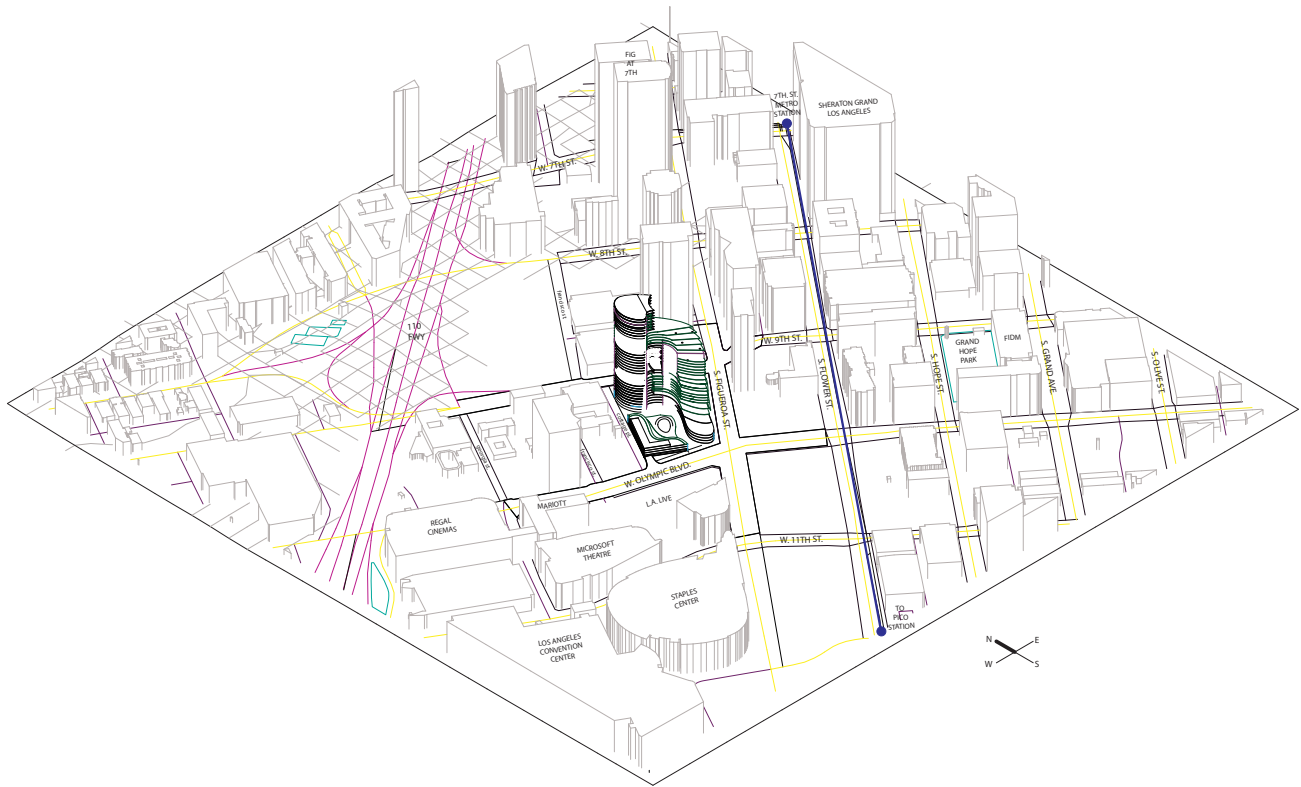


Site Location: Downtown LA, S. Figueroa ST. / W. 9th ST.



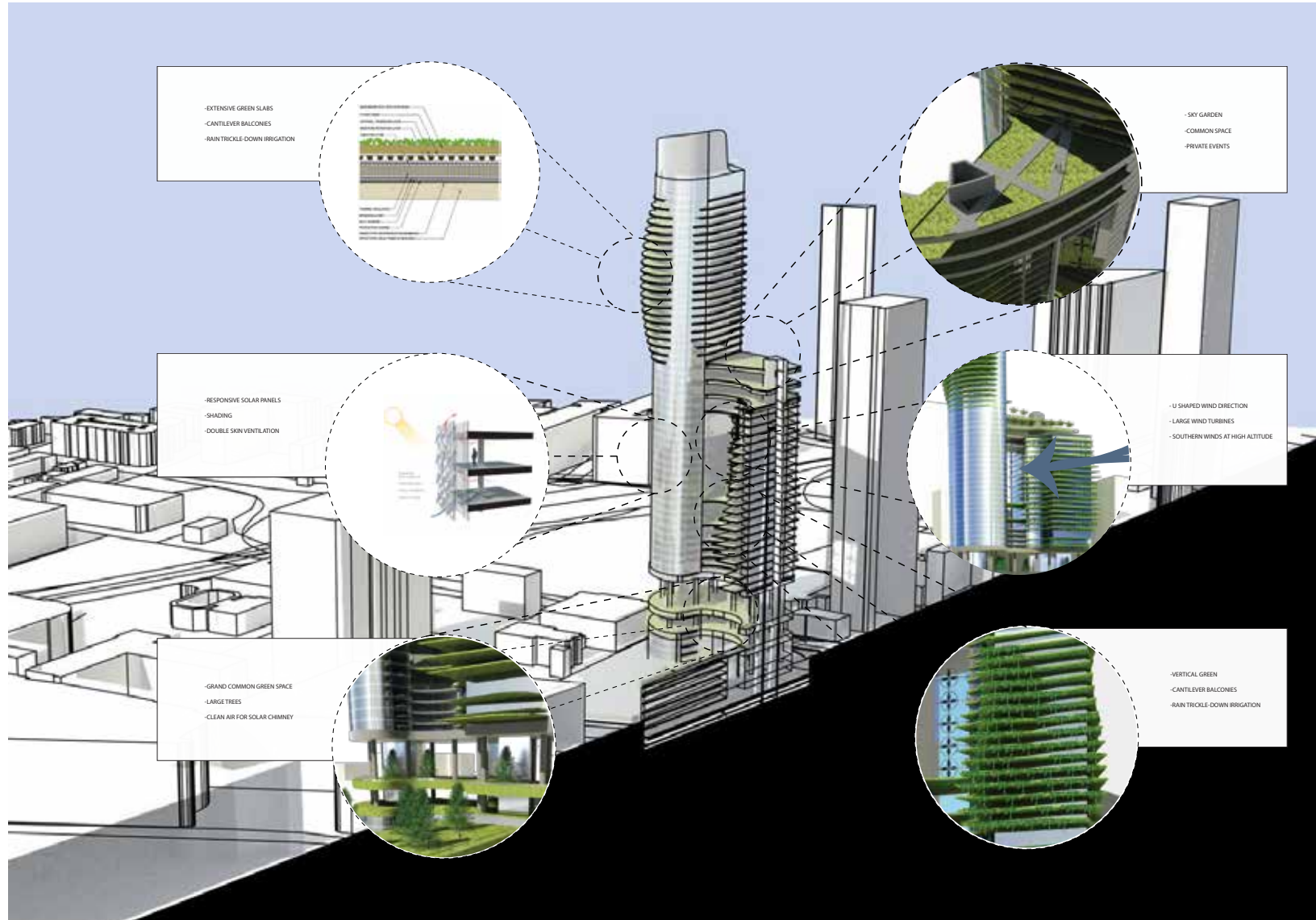
Green Spaces in the surrounding area.



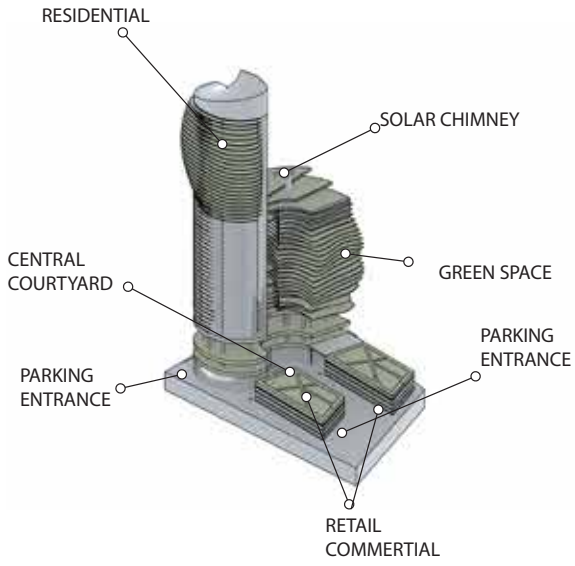
# Elevations



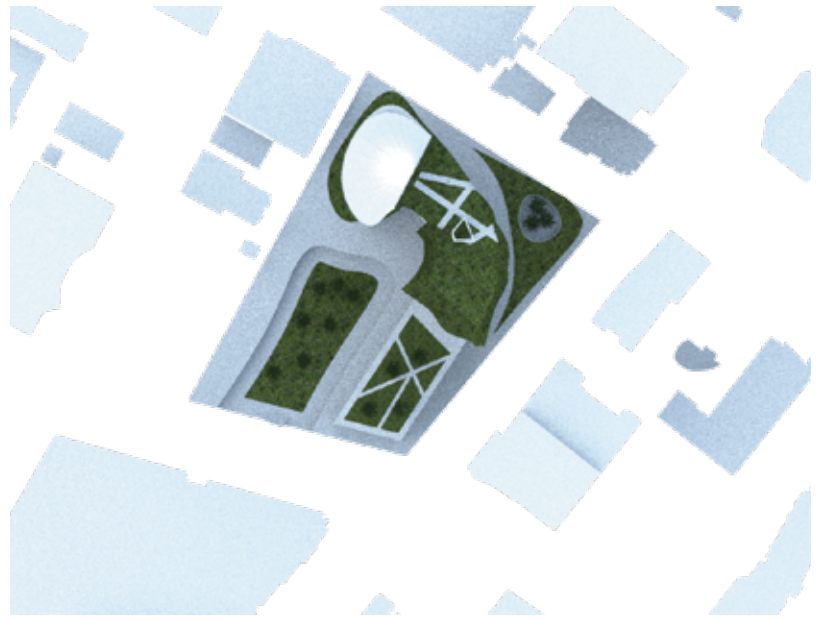
# Sustainability Strategies



# Program



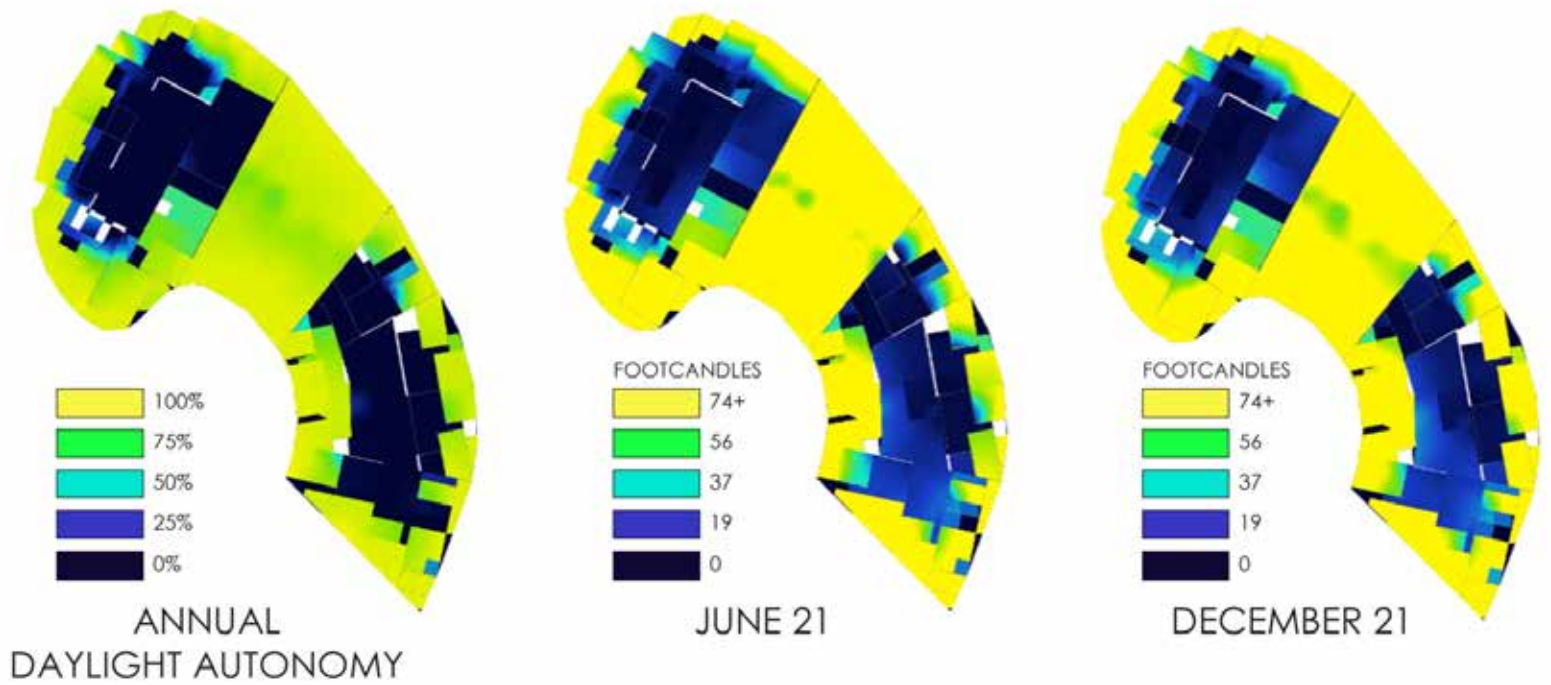
# Top View



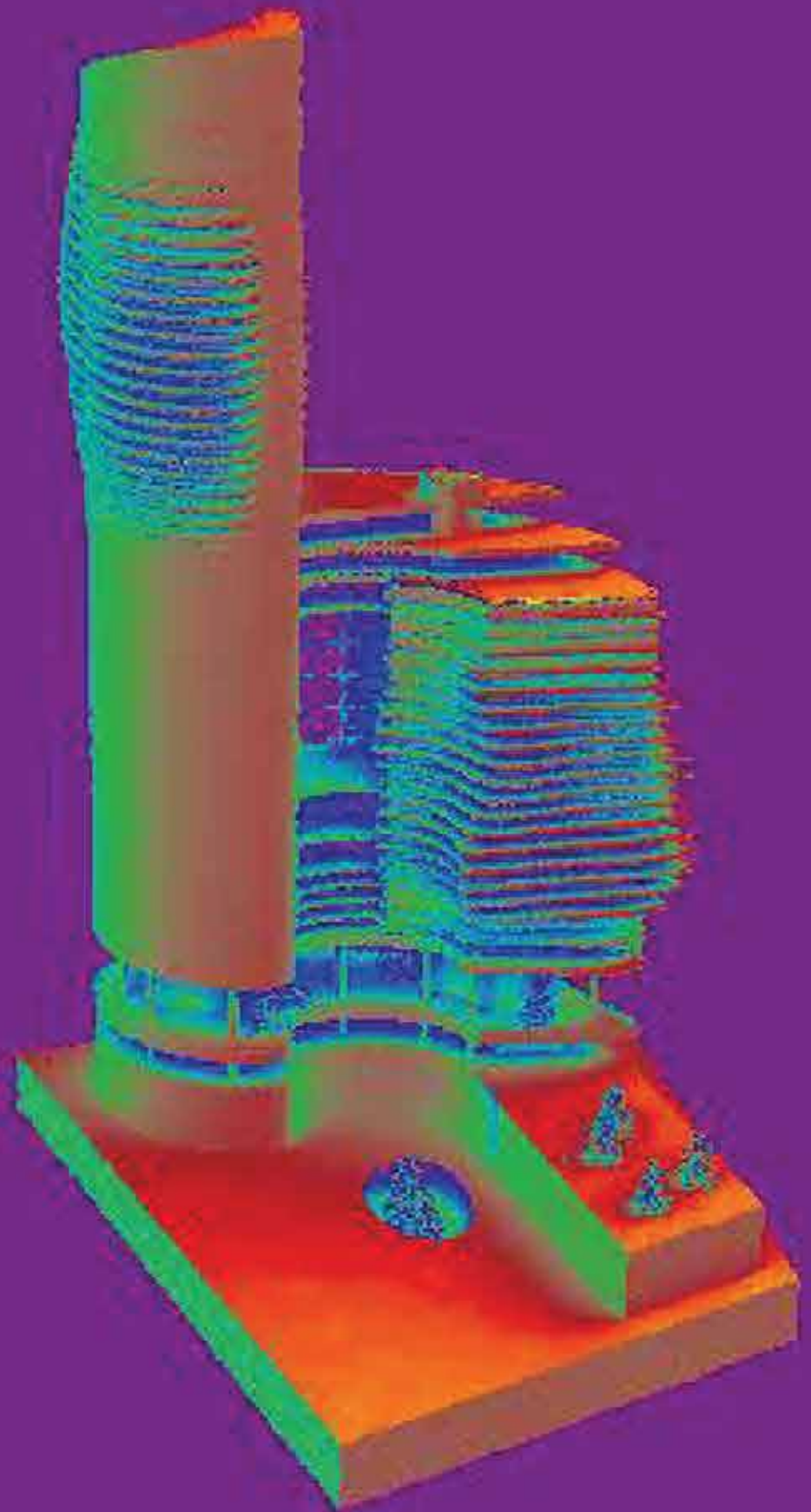
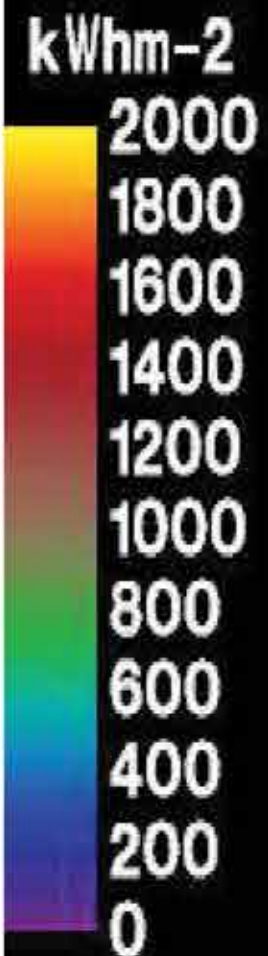
# Elevations



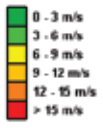
## DAYLIGHTING ON TYPICAL RESIDENTIAL LEVELS



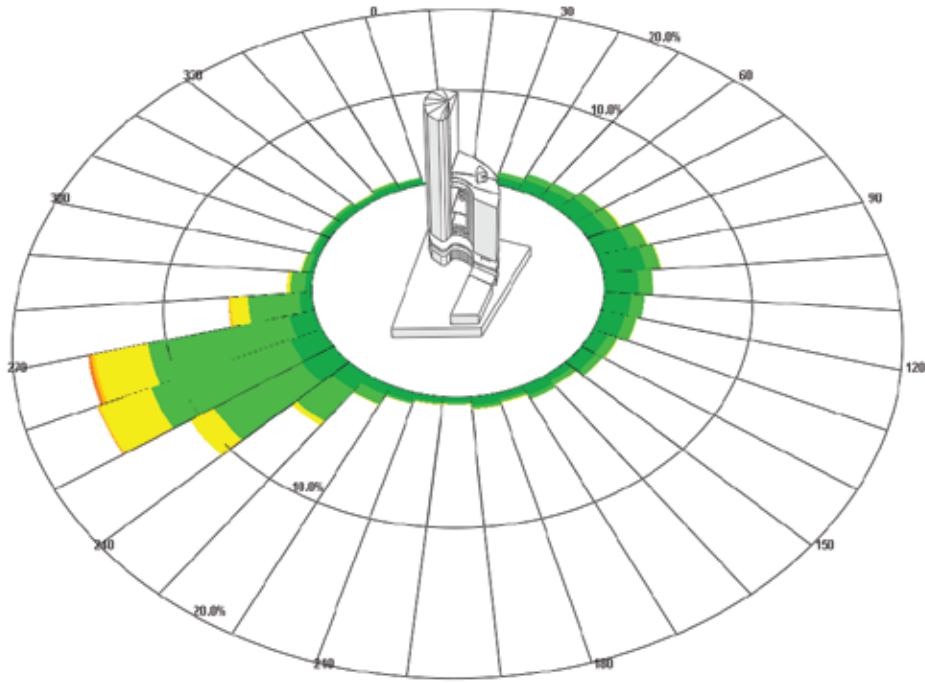




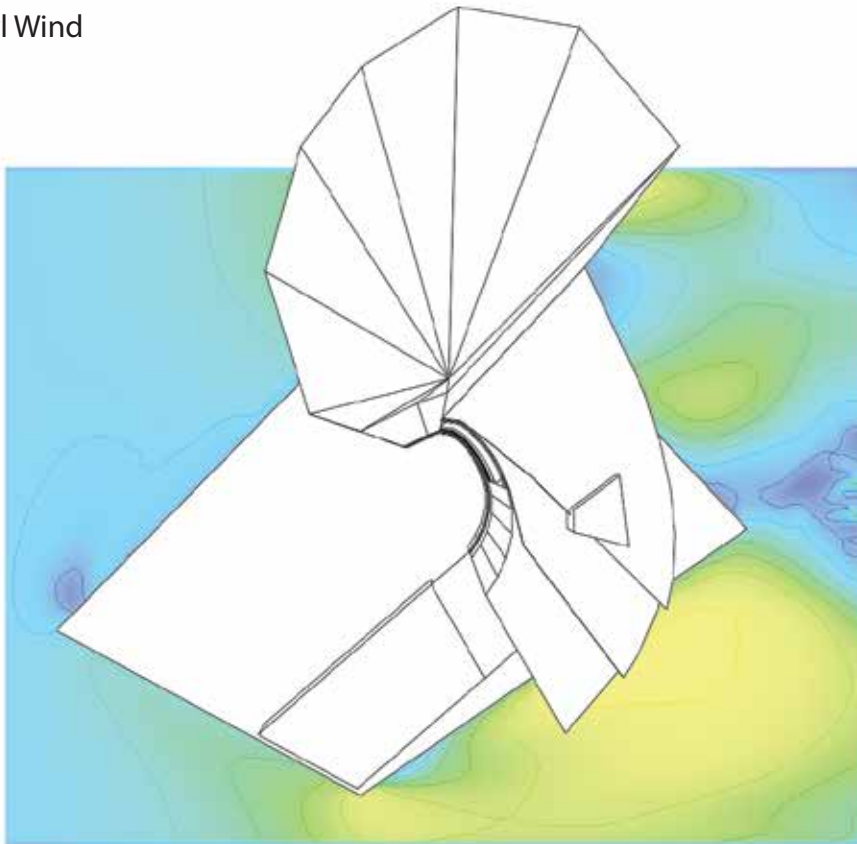
# Wind Analysis:



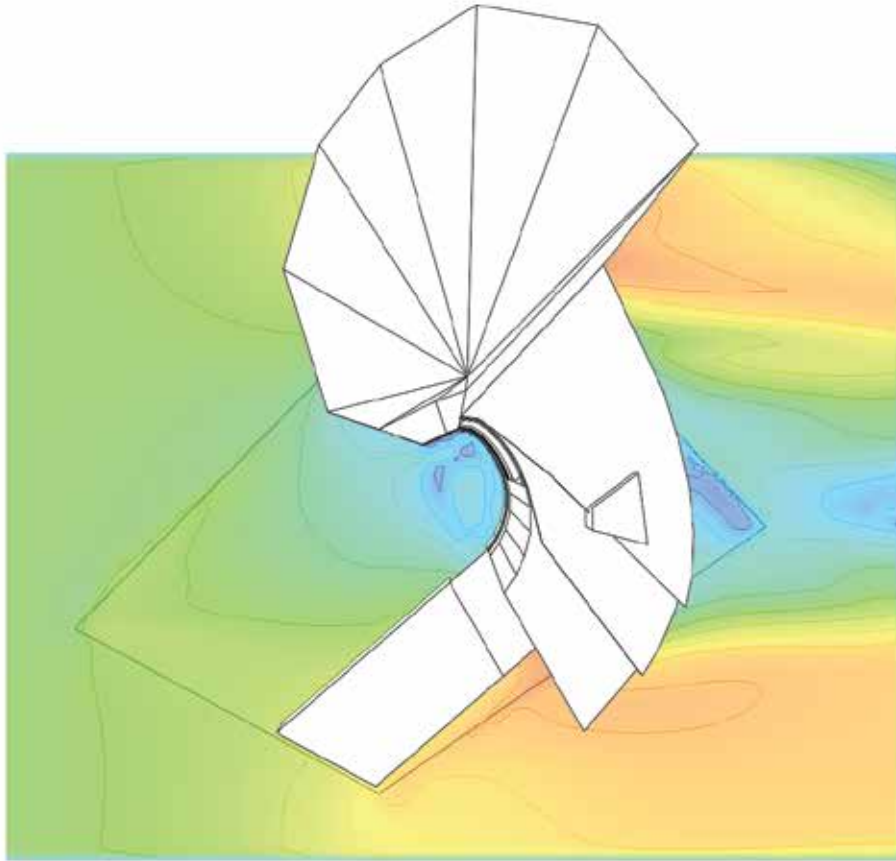
Wind Rose#1(Jan to 31/Dec)



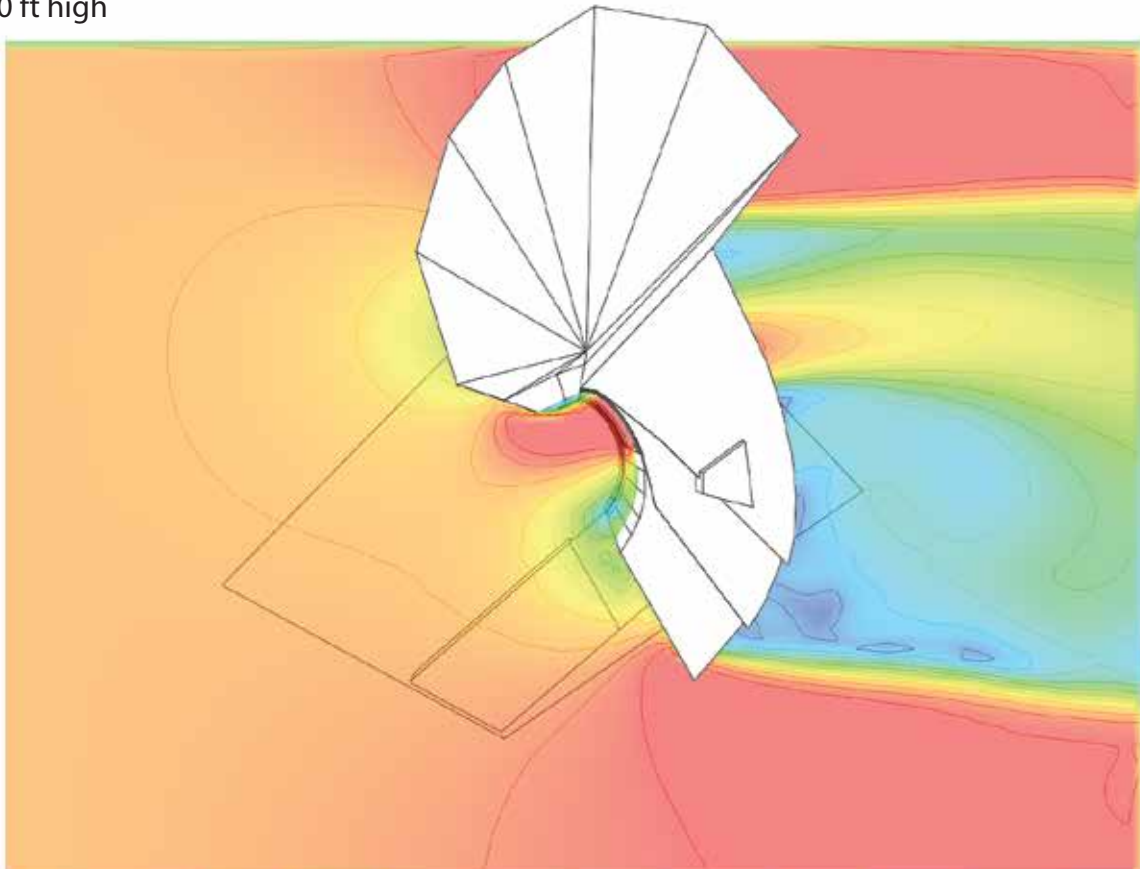
# Ground lvl Wind

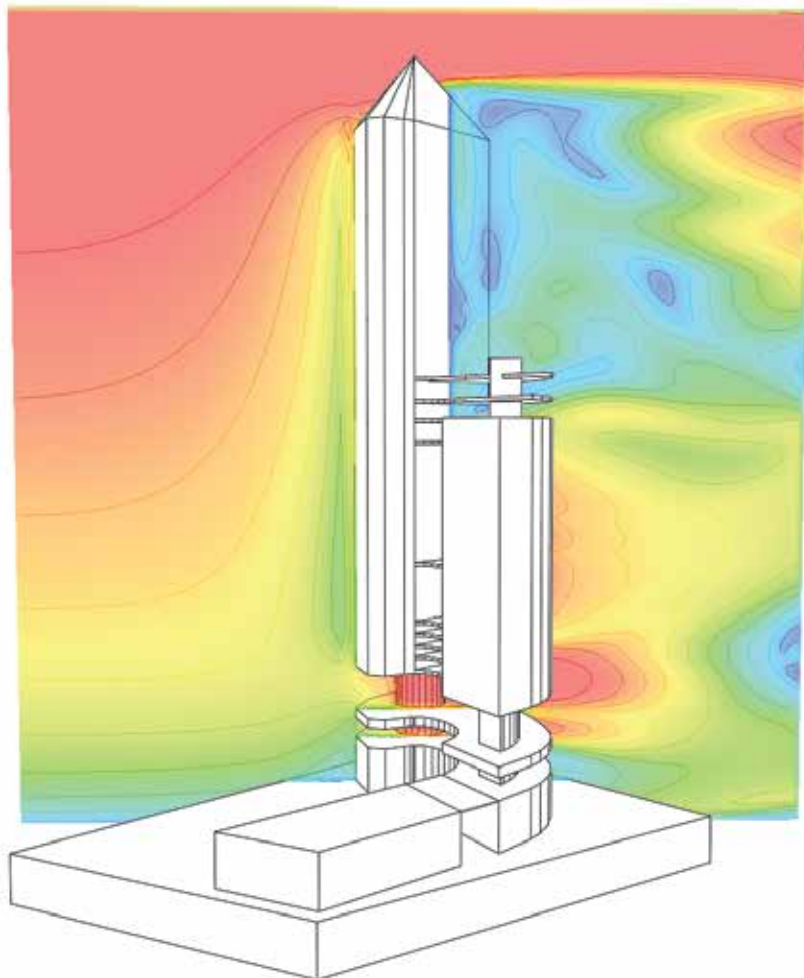
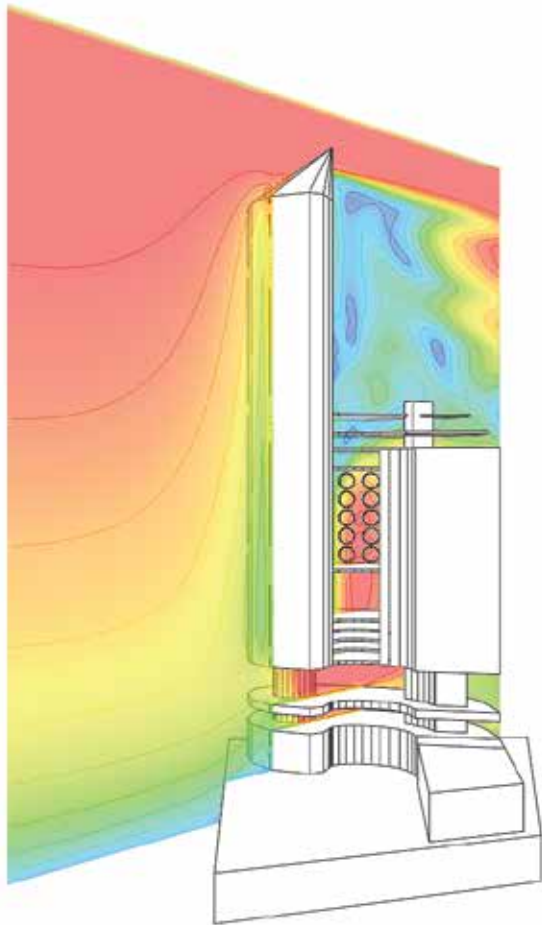


30 ft high



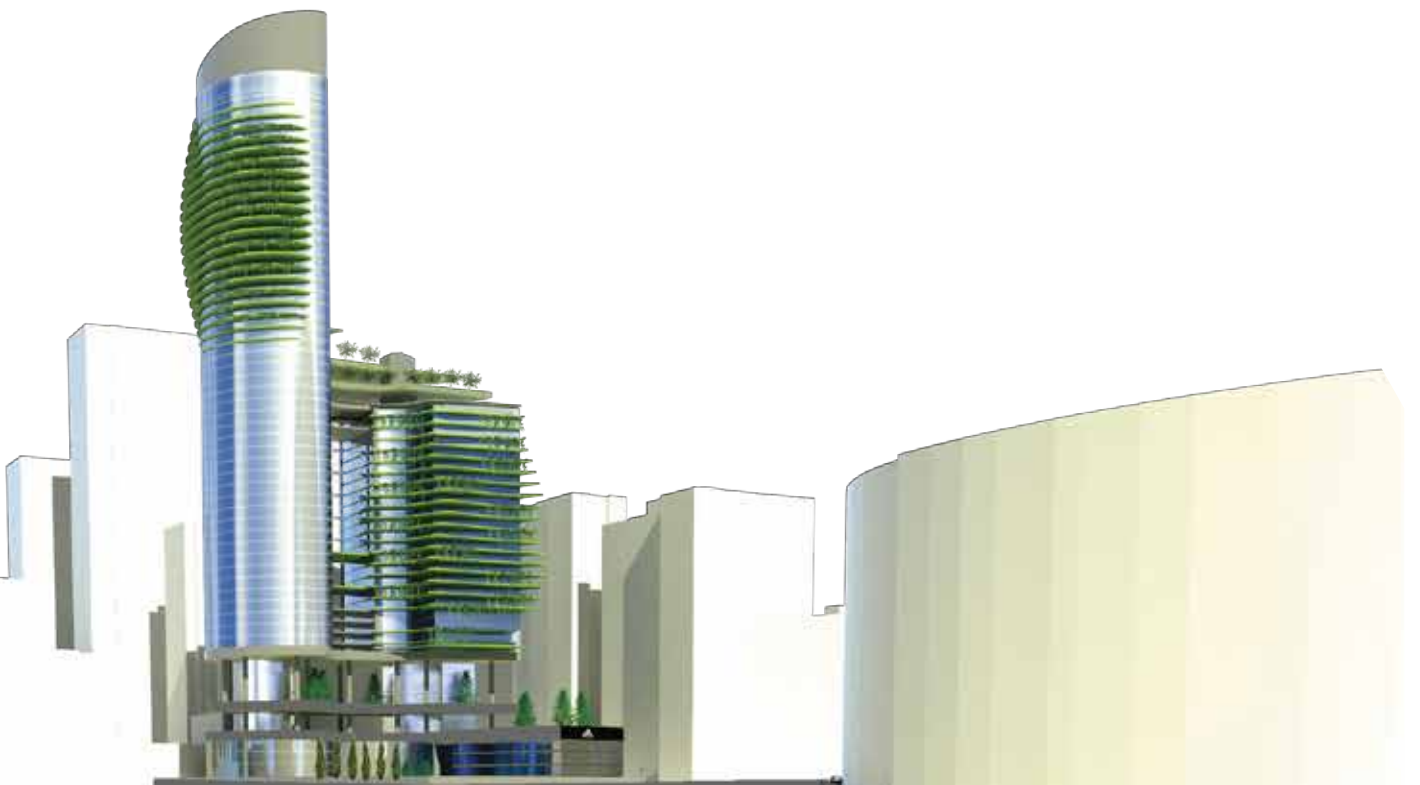
300 ft high



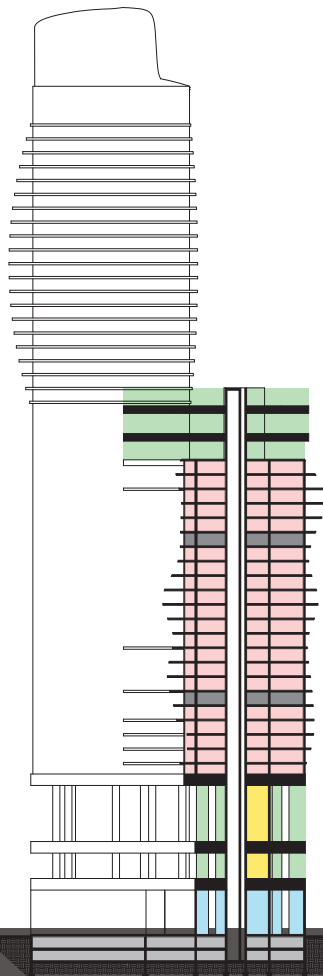




Custom Wind Turbine

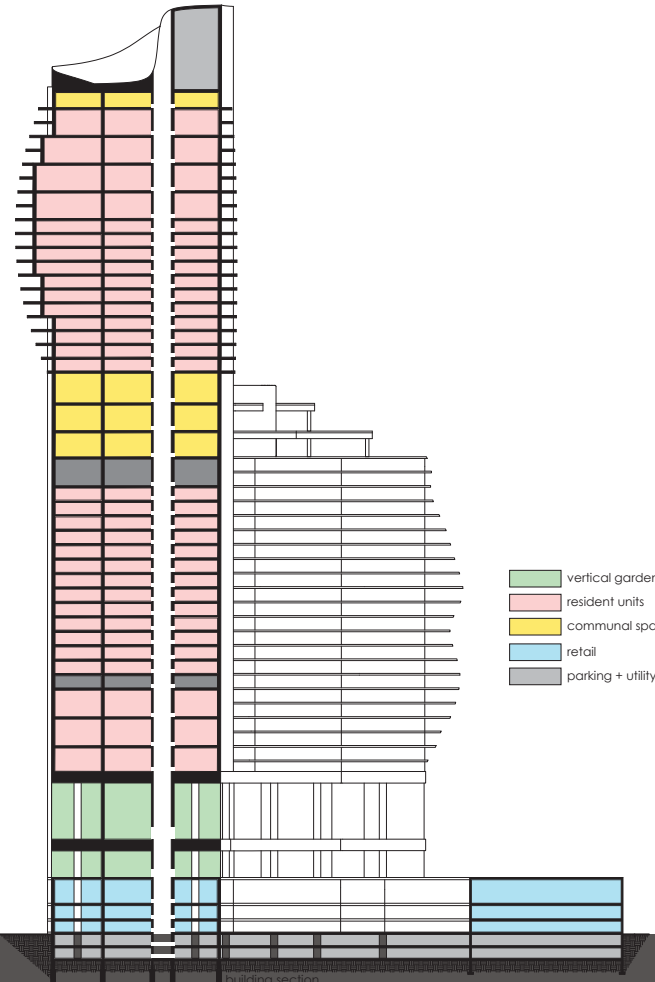


# Sections



building section  
scale: 1/64" = 1'-0"

- vertical gardens
- resident units
- communal space
- retail
- parking + utility



building section  
scale: 1/64" = 1'-0"

- vertical gardens
- resident units
- communal space
- retail
- parking + utility

Ground LVL Floor Plan



Units Plan

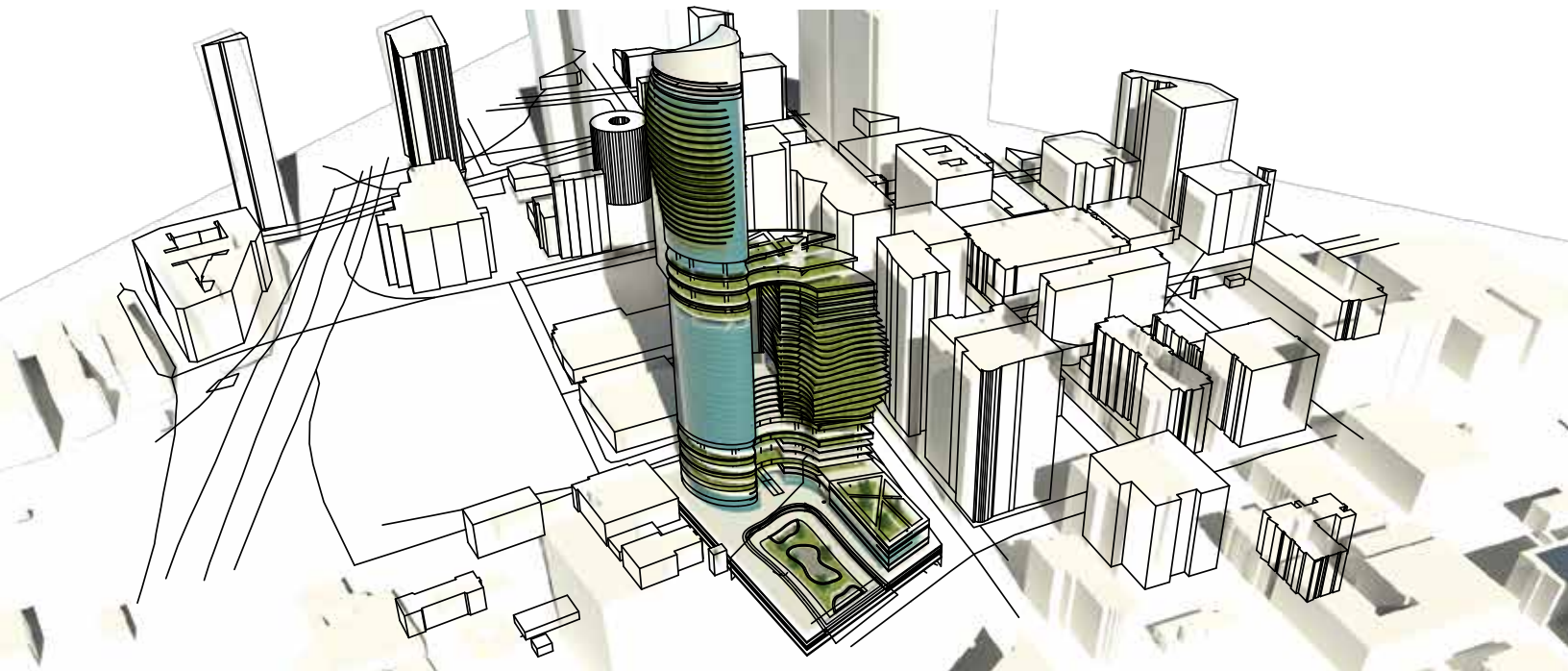


Tower Rendered View





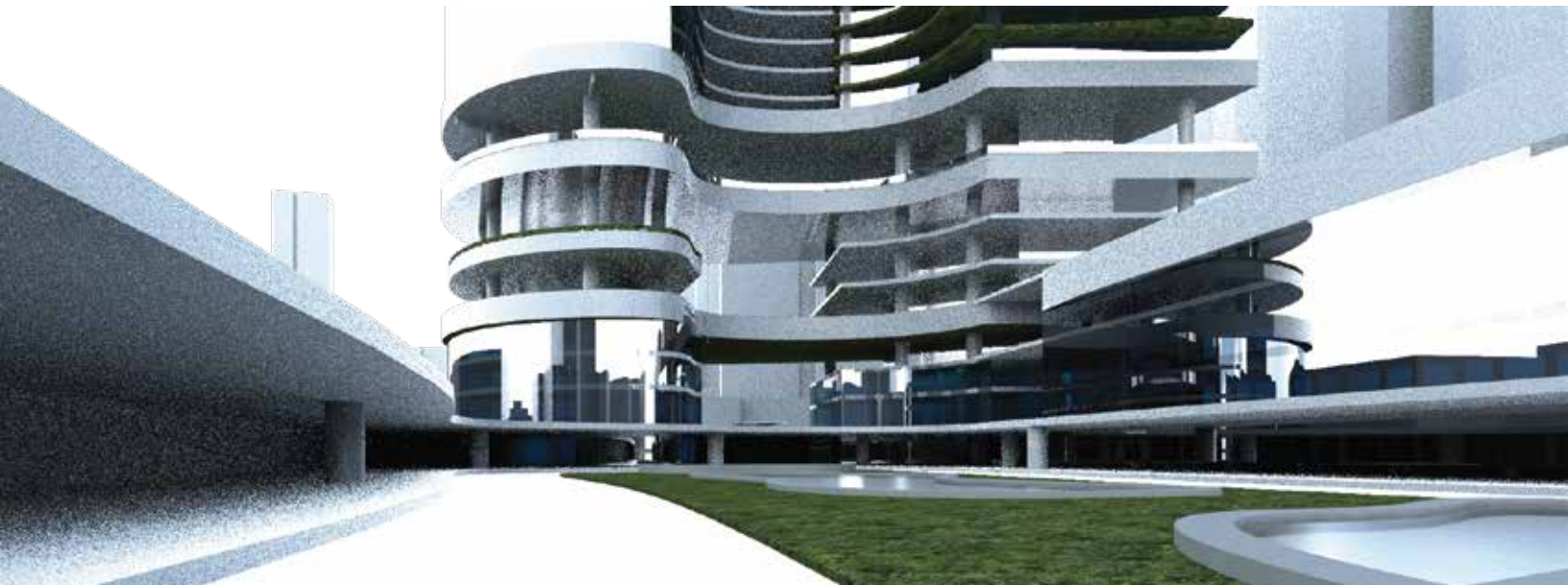
# Project Evolution



Bird Eye View



Underground View





Underground Trees



Public Park

